

**PRESSURE VACUUM  
RELIEF VALVE VENT TO  
ATMOSPHERE**

**BREATHER VALVE**

**BV/BS TYPE**



**Benefits**

- Designed according to the API 2000 standard.
- Reliable operations reduces vapor losses
- Suitable and compact design ensures long-term maintenance free life cycle
- Full lifting and high flow capacity
- Meet API leak test requirement
- No need inside maintenance
- Available outside inspection, cleaning and maintenance without disassembling

**General**

The model BV/BS pressure vacuum relief valves designed manufactured and tested according to the API 2000 standard.

The model BV/BS pressure vacuum relief valves used to relieve excess pressure and vacuum that has developed in a tank.

To avoid product loss, BV/BS pressure vacuum relief valves are recommended for use on atmospheric storage tank.

The set pressure and relieving pressure shall be consistent with the requirements of the standard according to which the tank was designed and fabricated. The model BV/BS can be manufactured the range of pressure and vacuum setting from  $\pm 22$  mm W.C to  $\pm 8000$  mm W.C.

The model BV type is weight-loaded type with minimum setting  $\pm 22$  mm W.C and maximum setting  $\pm 700$  mm W.C.

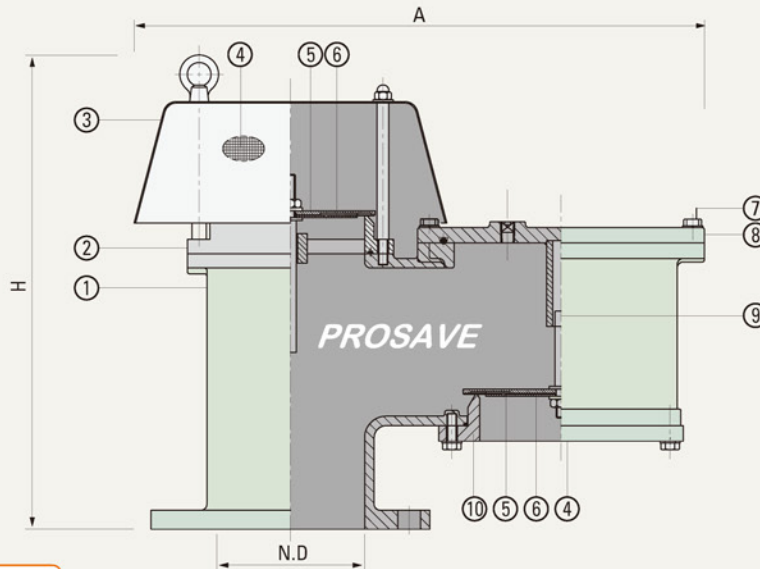
The model BS type is spring-loaded type over weight loaded type.

The materials for BV/BS shall be selected for the stored-product service temperatures and pressures. Also, the materials should be compatible with the product stored in the tank and with any products formed in the vicinity of the relief valve during filling and discharge. Usually the materials are available in Aluminum, Carbon Steel, Stainless Steel grade 304, 316 and 316L to suit individual requirements.

**PRESSURE VACUUM  
RELIEF VALVE VENT TO  
ATMOSPHERE**

**PROSAVE  
BREATHER VALVE**

**BV/BS TYPE**



**BV Weight Loaded Type**

For high pressure setting, **BS Type** Spring Loaded Valve are available on request.

**Dimension Table**

Unit = mm

TYPE	BV/BS-2	BV/BS-3	BV/BS-4	BV/BS-5	BV/BS-6	BV/BS-8	BV/BS-10	BV/BS-12
SIZE	50A	80 A	100 A	125A	150A	200A	250A	300A
N.D	50	80	100	125	150	200	250	250
A	173	183	430	463	580	700	840	950
H	303	335	340	400	480	580	710	800
W.T(kg)	16	20	27	36	46	85	125	150

**Materials of Construction**

NO.	DESCRIPTION	SPEC. 1	SPEC. 2	SPEC. 3
1	BODY	Carbon Steel	Stainless Steel 304	Stainless Steel 316/316L
2	PRESSURE SEAT	Stainless Steel 304	Stainless Steel 304	Stainless Steel 316/316L
3	HOOD	Stainless Steel 304	Stainless Steel 304	Stainless Steel 304
4	BURD/BUG SCREEN	Stainless Steel 304	Stainless Steel 304	Stainless Steel 304
5	PRESSURE/VACUUM DISC	Stainless Steel 304	Stainless Steel 304	Stainless Steel 316/316L
6	PRESSURE/VACUUM DIAPHRAGM	TEFLON	TEFLON	TEFLON
7	BOLT/NUT	Stainless Steel 304	Stainless Steel 304	Stainless Steel 316
8	VACUUM COVER	Carbon Steel	Stainless Steel 304	Stainless Steel 316/316L
9	PRESSURE/VACUUM STEM	Stainless Steel 304	Stainless Steel 304	Stainless Steel 316/316L
10	VACUUM SEAT	Stainless Steel 304	Stainless Steel 304	Stainless Steel 316/316L

\* Other material is available on special request by customers

**PROSAVE CO., LTD.**

#1407, Daman-ri, Jillye-myeon, Gimhae-si, Gyeongnam, 621-881, Korea  
 TEL. +82 (0)55 313 3510~1 FAX. +82 (0)55 313 3512  
 E-mail: prosave@prosave.co.kr www.prosave.co.kr

ISO 9001 Registered